

## 1550nm Pulsed laser module

### RZPLD-1550-150-BS-FA-14

#### ■ Features

- High linearity Direct Modulation DFB laser
- High output power
- Built-in Isolator, TEC, Thermistor and Monitor PD
- Hermetically sealed Butterfly Package
- RoHs compliant

#### ■ Applications

- Optical fiber sensing
- Laser radar
- Optical communication
- Scientific research

#### ■ Absolute Maximum Ratings

Parameter	Symbol	Min	Max	Unit	Condition
Operating Case Temperature	T <sub>c</sub>	-20	70	°C	--
Storage Temperature	T <sub>stg</sub>	-40	85	°C	--
Reverse Voltage	V <sub>r</sub>	--	2.0	V	--
Forward current	I	--	120	mA	--
Thermoelectric cooler voltage	V <sub>TEC</sub>	--	2.6	V	--
Thermoelectric cooler current	I <sub>TEC</sub>	--	1.5	A	--
Lead solder Temperature	--	--	260	°C	--
Lead Soldering Time	--	--	10	s	--

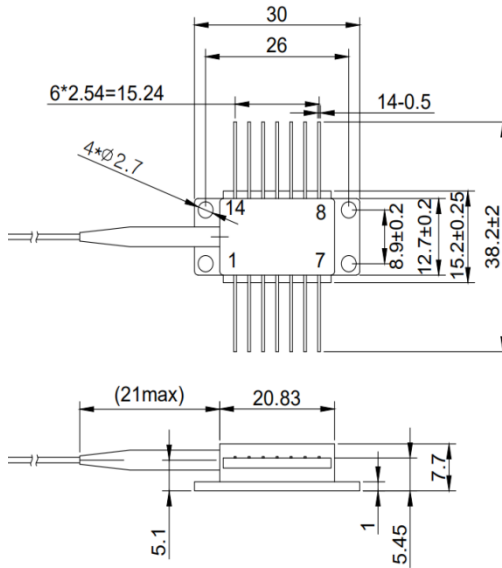
#### ■ Optical/Electrical Characteristics (T=25°C, unless otherwise stated)

Parameter	Symbol	Min	Typ	Max	Unit	Test Conditions
Pulse power	P <sub>o</sub>	-	-	150	mW	T=25°C
Pulse current	I	-	-	1000	mA	T=25°C
Pulse width	S	-	10	-	us	T=25°C
Duty cycle	%	-	1%	-	-	T=25°C
Voltage	V <sub>op</sub>	-	-	2.5	V	T=25°C
Operating wavelength (optional FP)	λ <sub>C</sub>	1544	1550	1555	nm	T=25°C
Edge touch rejection ratio (optional FP)	SMSR	35	45	-	dB	T=25°C
Thermistor	R <sub>th</sub>	9.5	10	10.5	KΩ	T=25°C
Optical Isolation (Optional)	-	35	-	-	dB	T=25°C

## ■ Dimensions and Pin Description

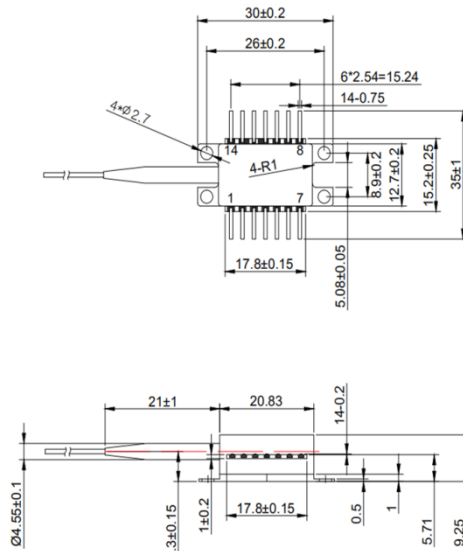
Dimensions are in millimeters. All dimensions are  $\pm 0.1\text{mm}$  unless otherwise specified.

### Type: 00



编号/PIN	引脚定义/Description
1	制冷器正极/TEC Cooler+
2	热敏电阻/Thermistor
3	PD正极/PD Anode
4	PD负极/PD Cathode
5	热敏电阻/Thermistor
6	空/NC
7	空/NC
8	空/NC
9	空/NC
10	激光器正极/LD+
11	激光器负极/LD-
12	空/NC
13	接地/Ground
14	制冷器负极/TEC Cooler-

### Type: 01



编号/PIN	引脚定义/Description
1	热敏电阻/Thermistor
2	热敏电阻/Thermistor
3	激光器负极/LD-
4	PD正极/PD Anode
5	PD负极/PD Cathode
6	制冷器正极/TEC Cooler+
7	制冷器负极/TEC Cooler-
8	接地/Ground
9	接地/Ground
10	空/NC
11	激光器正极/LD+(可选接地)
12	激光器射频负极/Laser RF cathode
13	激光器正极/LD+(可选接地)
14	空/NC

## ■ Order information

RZPLD-1550-150-BS-FA-14

RZLD	wavelength	Output Power	encapsulation & Fiber selection	Connector	PIN
RZLD=LD	...nm	...mW	BP=BTF PM Fiber	00=NO	14
RZSLD=SLED	974	5	BS=BTF SM Fiber	FA=FC/APC	10
RZNLD=Narrow line width	1064	50	BM=BTF MM Fiber	FU=FC/UPC	8
RZPLD= Pulsed laser	1310	200	DP=DIP PM Fiber	SA=SC/APC	6
RZSOA=SOA	1550	400	...	...	
...	...	...			

**Note: The laser module are ESD-sensitive devices. Please ensure that proper ESD handling procedures are followed.**