

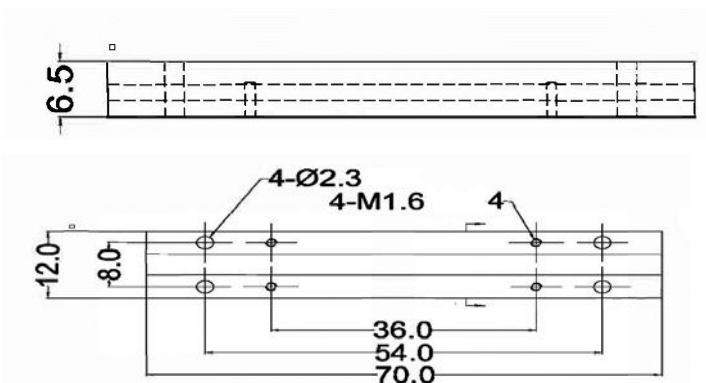
(2+1) ×1 Pump Combiner (MPC)

Mode: MPC-(2+1) ×1-976-105/125-1030-PM10/125DCF-1m-70×12×8

◆ Specification:

Parameter	Unit	Values
Configuration		(2+1)×1
Pump Wavelength	nm	800-1000
Signal Wavelength (λc)	nm	1020-1080
Pump Fiber		105/125 NA0.22
Signal Input Fiber		PM10/125DCF
Signal Output Fiber		PM 10/125 DCF
Handing Power for Every Port	W	25
Min. Pump Efficiency	%	92
Max. Signal Insertion Loss	dB	0.4
Min. Extinction Ratio	dB	18
Operating Temperature	°C	-5 to 65
Storage Temperature	°C	-40 to 85
Package Dimension	mm	70*12*8

◆ Package Dimension:



Ordering Information

MPC-①-②-③-④-⑤-⑥-⑦-⑧

1-Configuration	2-Pump Wavelength	3- Signal Wavelength	4-Pump Direction
(2+1)×1-(2+1)×1	976-976nm	1030-1030nm	F-Forward
	915-915nm		B-Backward

5-Handing Power	6-Pump Fiber	7-Signal Input Fiber	8- Fiber Length
10-10W	105/125-105/125	PM10/125 DCF	1-1M
25-25W			S-Specify
50-50W			