

Polarization Maintaining Erbium-Doped Optical Amplifier

➤ Product Description

CSRayzer's PM EDFA product has been widely used in the fields of optic fiber sensing and optic fiber communication. PM EDFA uses 980nm pump laser to provide energy. With all polarization maintaining passive components, It has a high output extinction ratio. The product can be configured in AGC, APC or ACC work mode through GUI. Using the high reliable temperature-controlling technology make the products have excellent thermal performance under wide temperature range.



➤ Product Specification

Parameter	Unit	Min	Type	Max
Wavelength	nm		1550.12	
Bandwidth	G		100	
Input power	dBm	-16		-10
Output power	dBm	22.5	23	23.5
Extinction ratio	dB	20		
Noise Figure	dB		5.5	6
Operation temperature	°C	0		50
Storage temperature	°C	-40		85
Supply voltage	V	4.75	5	5.25
Power consumption	W			20
Pigtail Length	cm	100±2		
Pigtail type		FC/APC, 900um PM		

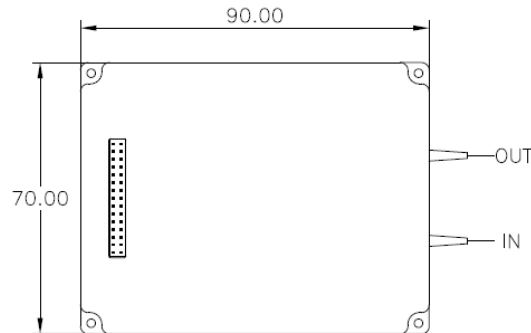
➤ Product Feature

- 1) Up to 23dBm output power
- 2) AGC/APC/ACC operation mode
- 3) Low noise figure and power consumption
- 4) High stability and reliability
- 5) Customizable

➤ Main Application

- 1) Optical fiber sensing
- 2) PM optical communication system
- 3) College and research institute

➤ **Mechanical Size**



➤ **Order Information**

