

## Fiber Coupled Acousto-Optic Modulator 1064nm 200MHz

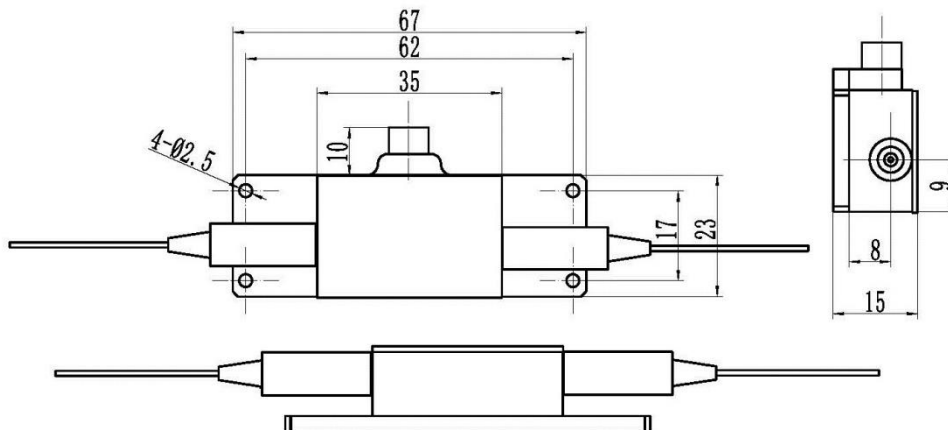
Mode: AOM-1064-200M-10-C1-Hi1060-1-1-1-FA

### ◆ Specification

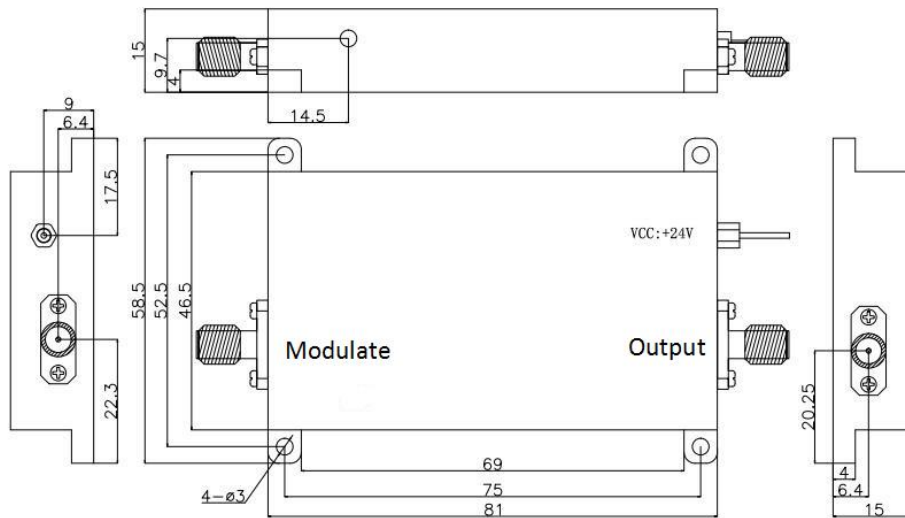
| Parameter                              | Unit               | Value                                  |
|--|--------------------|--|
| Interaction Material                   |                    | Tellurium Dioxide                      |
| Signal Wavelength( $\lambda_c$ )       | nm                 | 1064                                   |
| Operating Wavelength Range             | nm                 | $\pm 30$                               |
| Frequency                              | MHz                | 200                                    |
| Max. Insertion Loss                    | dB                 | 2.5                                    |
| Max. Rise-Time/Fall-Time(10%-90%)      | ns                 | 10                                     |
| Min. Extinction Ratio(Turn On/Off)     | dB                 | 45                                     |
| Max. Voltage Standing Wave Ratio(VSWR) | /                  | 1.5:1                                  |
| Frequency Shift                        | MHz                | 200 (UpShift)                          |
| Max. Average Optical Power             | mW                 | 1000(Other Power Available On Request) |
| Peak Power                             | kW                 | 3                                      |
| Input Impedance                        | $\Omega$           | 50                                     |
| Max. RF Power                          | W                  | 2.5                                    |
| Fiber Type                             | /                  | HI1060                                 |
| Operating Temperature                  | $^{\circ}\text{C}$ | -10 to+65                              |
| Storage Temperature                    | $^{\circ}\text{C}$ | -20 to+70                              |

\*IL is 0.2-0.3dB higher, RL is 5 dB lower, and ER is 2 dB lower for each connector added. Connector key is aligned to slow axis.

### ◆ AOM Package Dimensions



◆ RF Driver Package Dimensions



◆ Ordering Information

AOM-①-②-③-④-⑤-⑥-⑦-⑧-⑨

| 1-SignalWavelength | 2-Frequency | 3-HandingPower | 4-Package Dimension |
|--------------------|-------------|----------------|---------------------|
| 1064-1064nm        | 200-200Mhz  | 05-500mW       | C1-67*23*15         |
|                    |             | 10-1W          |                     |
|                    |             | 50-5W          |                     |

| 5-Fiber Type    | 6-FiberLength | 7-Fiber Jacket       | 8-Jacket Length | 9-Connector |
|-----------------|---------------|----------------------|-----------------|-------------|
| PM980-PM980     | 1-1M          | 0-Bare Fiber         | 1-1M            | FU-FC/PC    |
| PM1060L-PM1060L | 1.5-1.5M      | 1-900 μ m Loose Tube | S-Specify       | FA-FC/APC   |
| HI1060-HI1060   |               |                      |                 | S-specify   |