

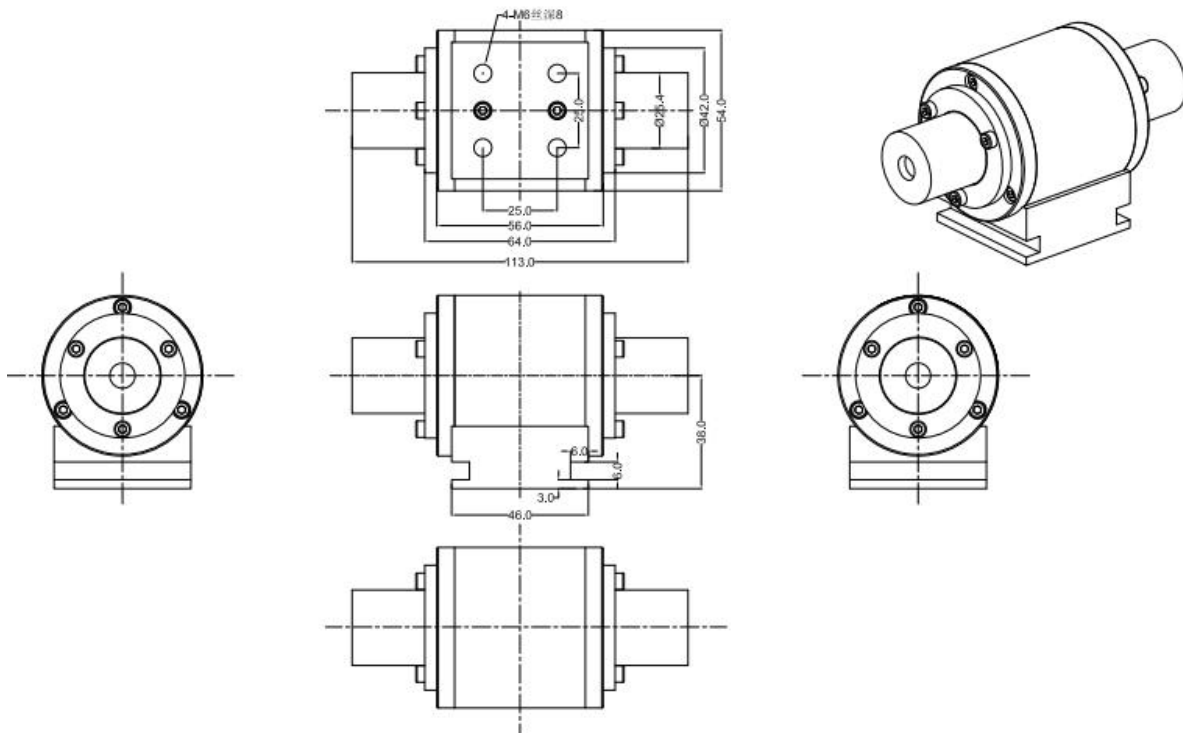
## 1064nm High Power Free Space Faraday Isolator

Mode: HIO-6-1064-HP-113X54X54-SD

### ◆ Specification:

Parameters	Unit	Values
Center Wavelength( $\lambda$ C)	nm	1064
Operating Wavelength Range	nm	$\pm 10$
Transmission@ $\lambda$ c	%	$\geq 92$
M <sup>2</sup> Degradation	%	$\leq 10$
Isolation@ $\lambda$ c	dB	$\geq 30$
Clear Aperture	mm	6 Or Specify
Optical Average Power	W	50
Damage Threshold	J/cm <sup>2</sup>	5
Operating Temperature	°C	10 to 30
Storage Temperature	°C	-20 to 70

### ◆ Package Dimension:



HIO-①-②-③-④

① Clear Aperture	② Center Wavelength	③ Handling Power	④ Package Dimension
2.8-2.8mm	1030-1030nm	HP-High Power	81x52x38
5-5mm	1064-1064nm	LP-Low Power	113x54x54
S-Specify	1550-1550nm		S-Specify